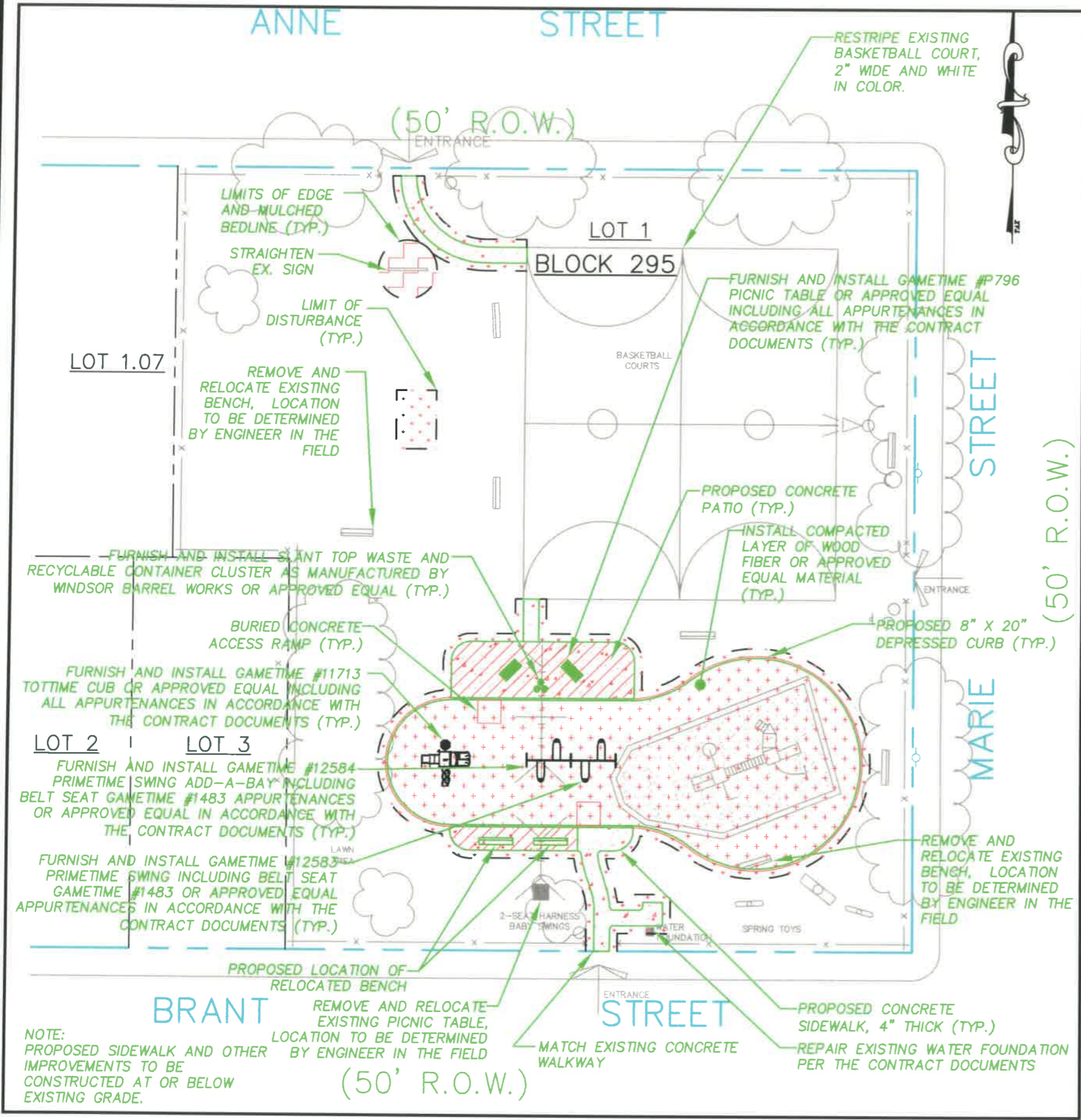




List of Proposed JFK Park at Anne Street Improvements

- Concrete curb to be installed around the proposed 4,400 s.f. play area.
- Wood fiber surface to be installed within the proposed play area, conforming to A.D.A. regulations.
- Concrete sidewalk to be installed from the southern entrance of the park, leading to a concrete patio with two (2) relocated benches and to the repaired water fountain.
- An additional concrete patio to be installed, with two (2) new picnic tables and a refuse station to serve as a picnic area and a place for parents to watch over their children.
- A new Primetime Swing set to be installed, along with the Add-A-Bay feature, so that four (4) children will be able to use the swing set at any given time. This will be installed within the proposed play area.
- A new Primetime TotTime Cub Structure to be installed. The unit is made for children between the ages of 2 and 5, and it has a 15-20 child capacity.
- A new A.D.A. Gizmo Panel to be installed in the proposed play area.
- Repair the existing water foundation.
- Re-stripe the existing basketball courts.
- Miscellaneous topsoil and seeding, as well as the installation of two (2) shade trees in a location to be determined by the Engineer.
- Install a mulched bedline around the 'JFK PARK AT ANNE ST.' sign located along the northern entrance the park.
- Miscellaneous repairs to the 'JFK PARK AT ANNE ST.' sign.



- PROPOSED LEGEND:**
- DENOTES PROPOSED CONCRETE CURB
 - DENOTES EXISTING GRASSED AREA TO BE EXCAVATED TO PROPER GRADE AND RECEIVE 4" THICK CONCRETE PATIO
 - DENOTES EXISTING GRASSED AREA TO BE EXCAVATED TO PROPER GRADE AND RECEIVE 4" THICK CONCRETE SIDEWALK
 - DENOTES AREA TO RECEIVE TOPSOIL AND SEEDING, AS DIRECTED BY THE ENGINEER
 - DENOTES AREA TO RECEIVE COMPACTED LAYER OF WOOD FIBER MATERIAL OR APPROVED EQUAL SURFACE IN ACCORDANCE WITH THE CONTRACT DOCUMENTS
 - DENOTES AREA TO RECEIVE MULCH BED AND WOOD TRIM EDGE BOUNDARY IN ACCORDANCE WITH THE CONTRACT DOCUMENTS
 - DENOTES RELOCATED PARK BENCH
 - DENOTES PROPOSED PICNIC TABLE
 - DENOTES PROPOSED CONTAINERS FOR WASTE AND RECYCLING
- EXISTING LEGEND:**
- DENOTES EXISTING SIGN
 - DENOTES EXISTING FENCE
 - DENOTES EXISTING PICNIC TABLE
 - DENOTES EXISTING PARK BENCH



NOTES:
 1. PLAYGROUND EQUIPMENT SPECIFIED BY GAMETIME MODEL NO. 11713 OR EQUAL.
 2. COLOR TO BE CHOSEN DURING SHOP DRAWING REVIEW PHASE.

TOTTIME CUB STRUCTURE



NOTES:
 1. PLAYGROUND EQUIPMENT SPECIFIED BY GAMETIME MODEL NO. 12583 OR EQUAL.
 2. COLOR TO BE CHOSEN DURING SHOP DRAWING REVIEW PHASE.

PRIMETIME SWING

N.T.S.
 BOROUGH OF SOUTH RIVER
 MIDDLESEX COUNTY, NEW JERSEY
JFK PARK IMPROVEMENTS

SCALE: 1" = 30' JULY 2008



LAYOUT PLAN

CME ASSOCIATES
 CONSULTING AND MUNICIPAL ENGINEERS

(732) 727 8000 (732) 462 7400

3141 BORDENTOWN AVENUE, PARLIN, NEW JERSEY 08859-1162 — 1460 ROUTE 9 SOUTH, HOWELL, NEW JERSEY 07731-1194

FILE NO.: PSR00220.01

-  = INSTALLATION
DETAIL
-  = PARTS LIST
REFERENCE

FOR GIZMOS, SEE INSTALLATION SHEET 4839

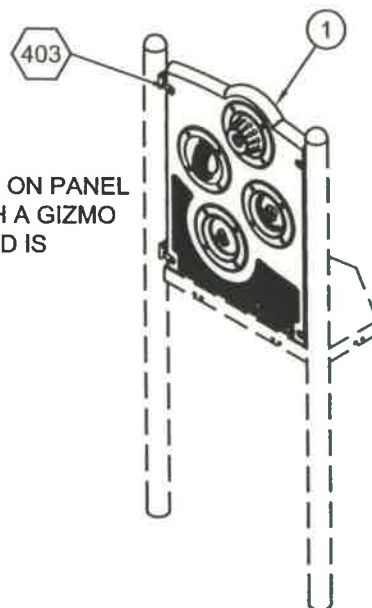
PT 36"	12962
PT 45 1/2"	12963
ADA	12968

INSTALLATION INSTRUCTIONS

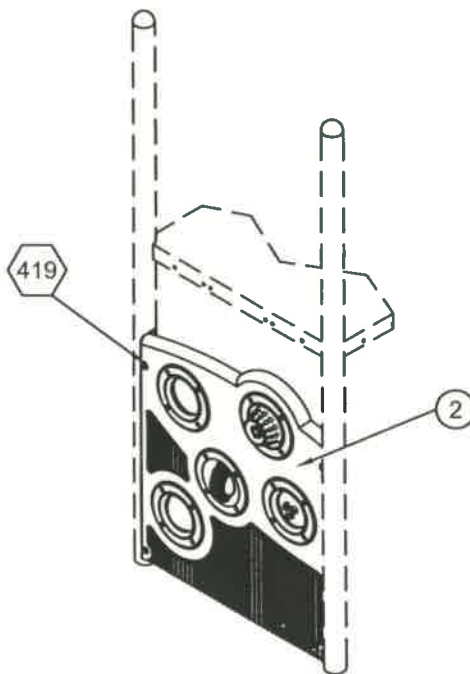
1. Before assembling this equipment, read the enclosed INSTALLER INSTRUCTIONS in the installation booklet; follow all the instructions during installation.
2. Assemble parts as shown in the ASSEMBLY DRAWING. Refer to the assembly details for the specific hardware required in each connection.

NOTE: ATTACH GIZMOS TO PANEL BEFORE ASSEMBLING PANELS TO UPRIGHTS. SEE APPROPRIATE GIZMO ASSEMBLY DRAWING FOR ATTACHMENT.

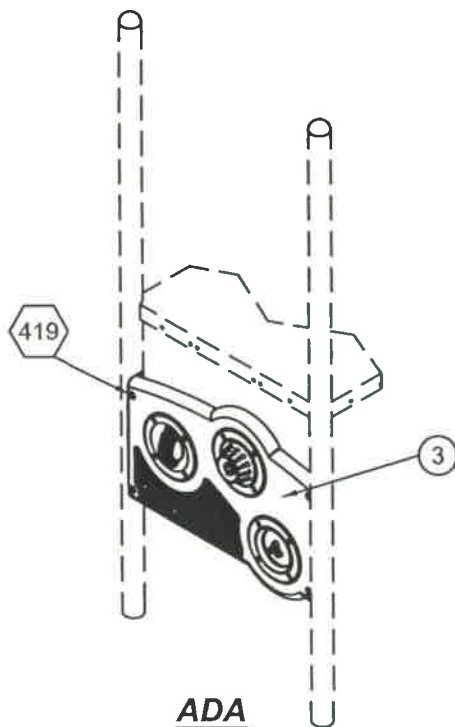
NOTE: ALL OPENINGS ON PANEL MUST BE FILLED WITH A GIZMO BEFORE PLAYGROUND IS OPERATIONAL.



PT 36"
12962

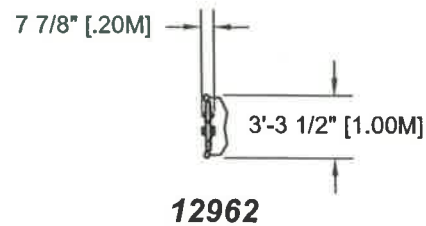


PT 45 1/2"
12963

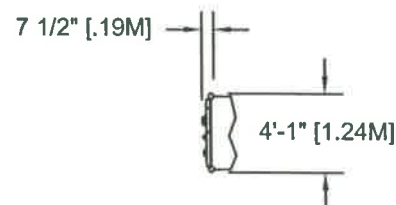


ADA
12968

ASSEMBLY DRAWINGS



12962



12963 & 12968

TOP VIEWS